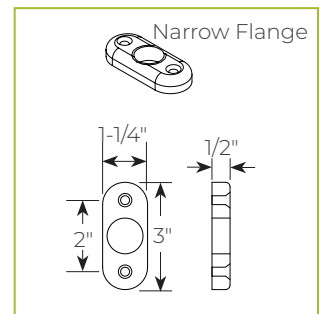
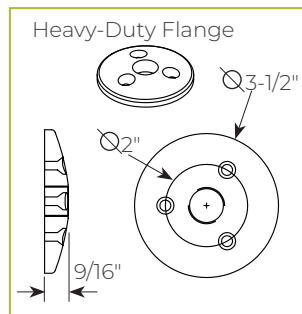
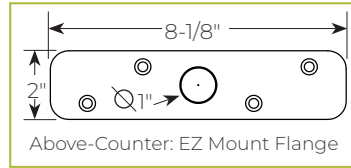
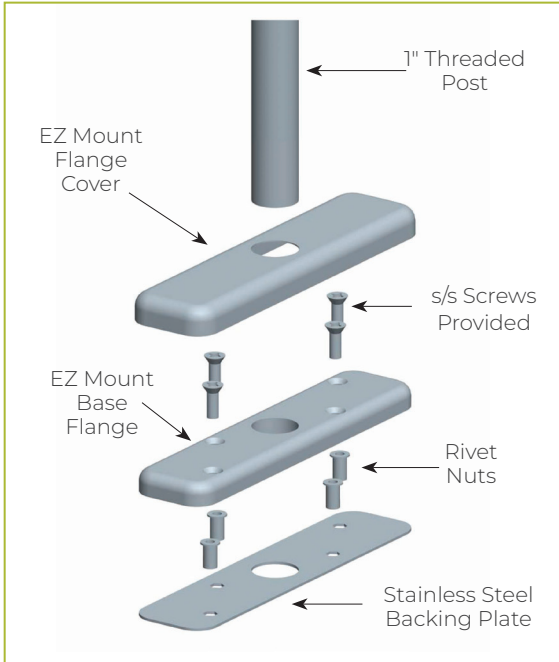
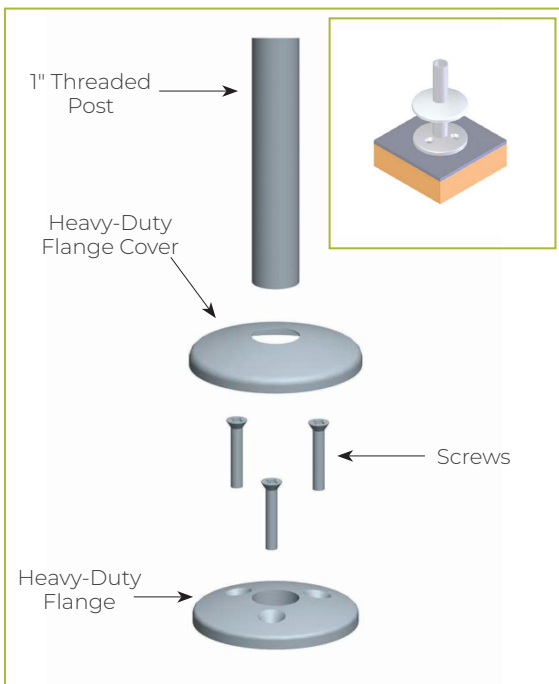


## ABOVE-COUNTER INSTALLATION FOR 1" ZGUARD POSTS

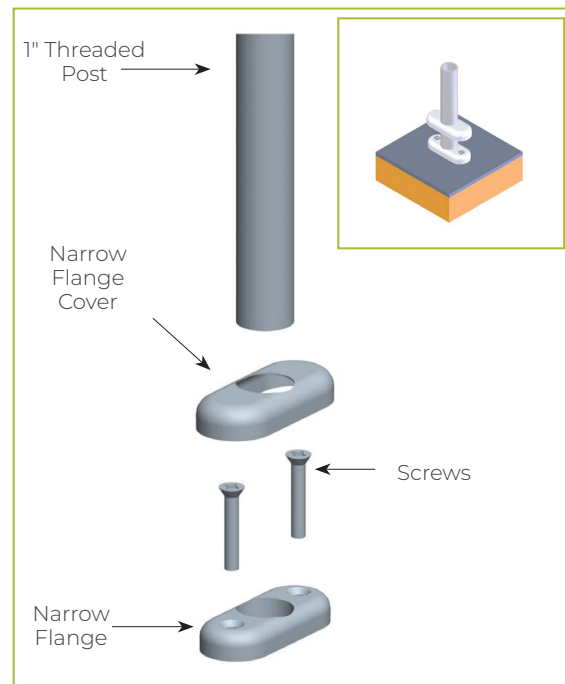
### For Stainless Steel Counter SS1: EZ Mount 2" x 8" Flange



### For Millwork Counter MW1: Heavy-Duty Flange



### For Millwork Counter MW2: Narrow Flange



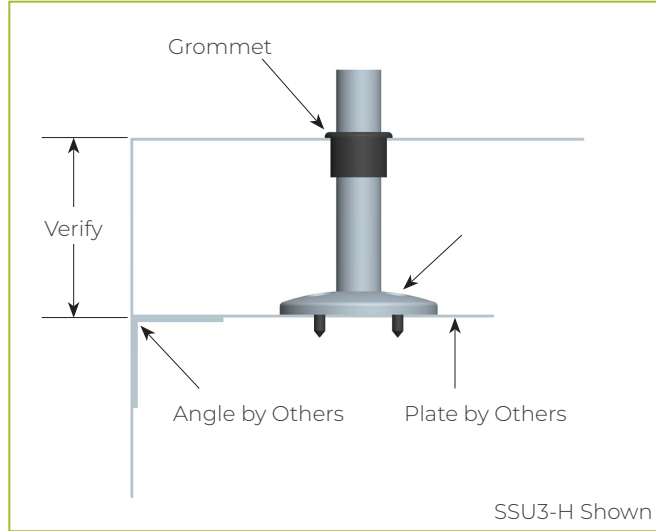
Approval Drawings Required.  
Specifications subject to change without notice.



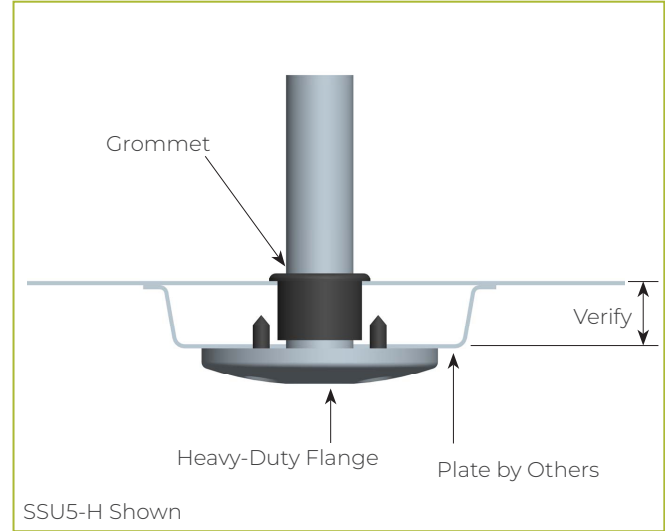
03.25

## UNDER-COUNTER INSTALLATION FOR 1" ZGUARD POSTS

**For Stainless Steel Counter  
(requires under-counter reinforcement  
and access)**

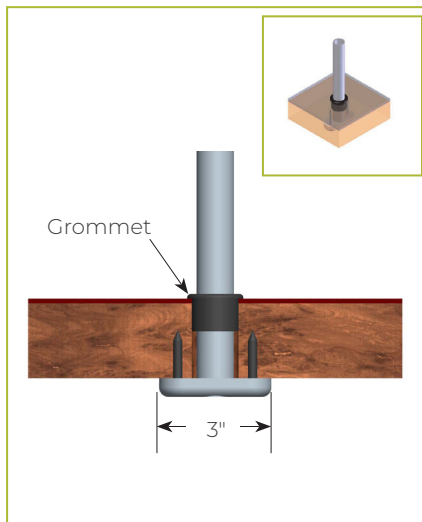


**For Stainless Steel Counter  
(requires under-counter reinforcement  
and access)**

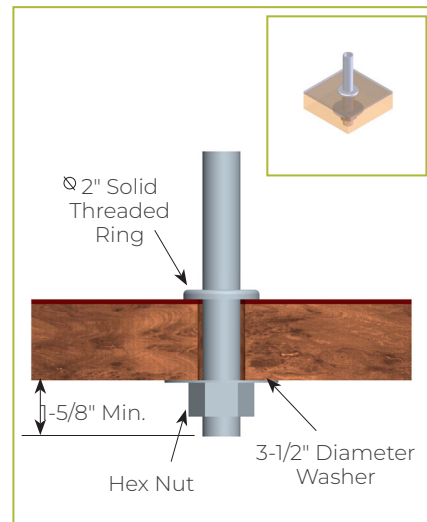


Verify Counter Thickness or Under-Counter Installation Depth in Inches

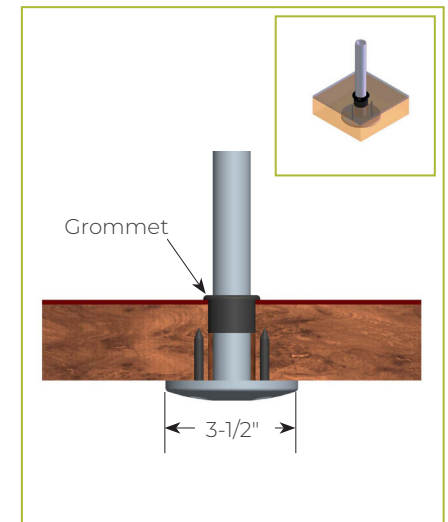
**For Millwork Counter  
MWU3: Narrow Flange**



**For Millwork Counter  
MWU4: Compression Installation  
(not recommended for solid  
surfaces)**



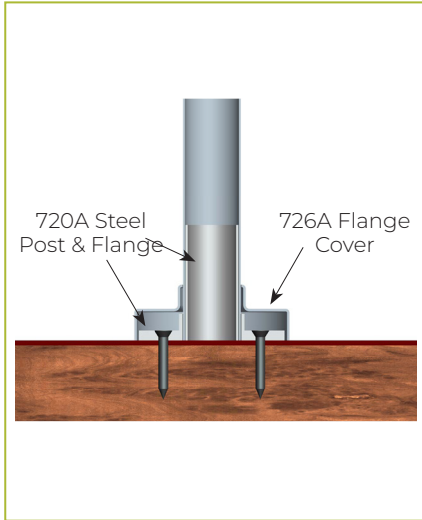
**For Millwork Counter  
MWU5: Heavy-Duty Flange**



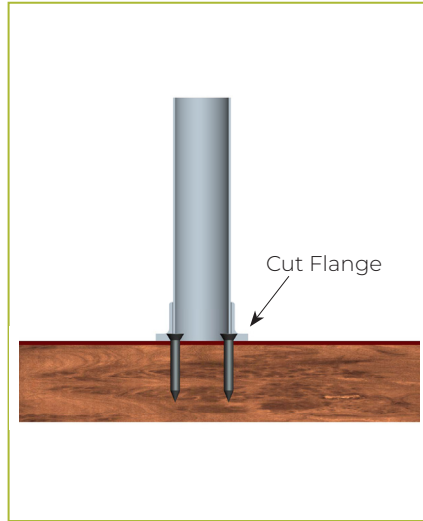
Verify Counter Thickness or Under-Counter Installation Depth in Inches

## ABOVE-COUNTER INSTALLATION FOR 1-1/2" ZGUARD POSTS

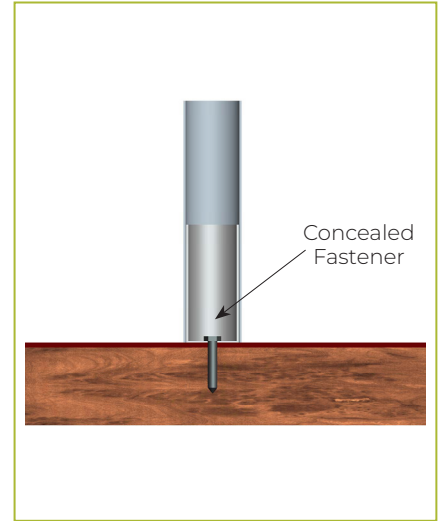
**For Millwork Counter Surface Installation 720A/726A: Steel Post and Flange w/Flange Cover**



**For Millwork Counter Surface Installation 725A: Cut Flange**



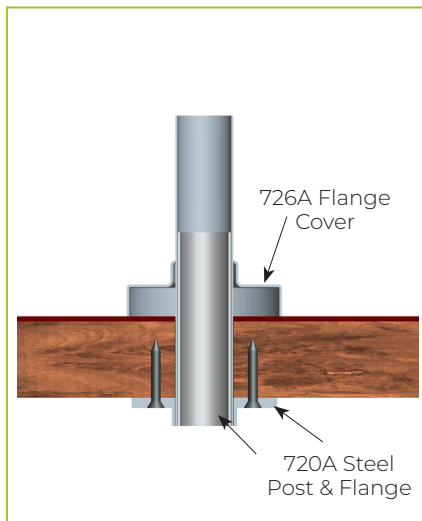
**For Millwork Counter Concealed Fastener (not for cantilever units)**



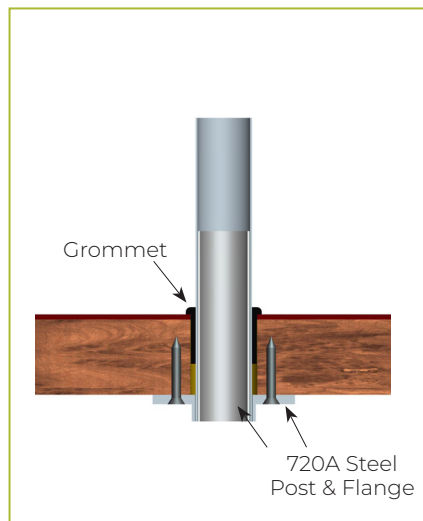
## UNDER-COUNTER INSTALLATION FOR 1-1/2" ZGUARD POSTS

(requires under-counter reinforcement and access)

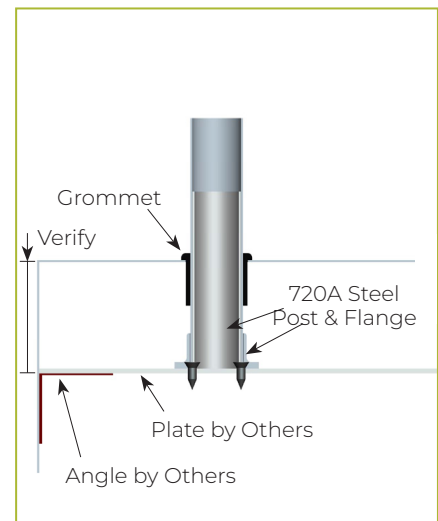
**Under-Counter Installation 720A/726A: Steel Post and Flange w/ Flange Cover**



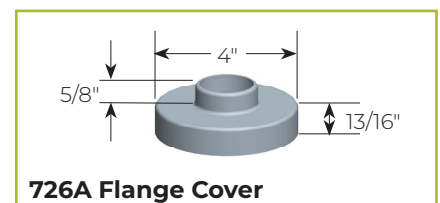
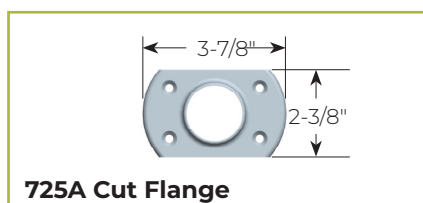
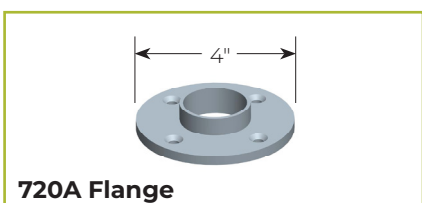
**Under-Counter Installation 720A: Steel Post and Flange w/out Flange Cover**



**Under-Counter Installation 725A: Narrow Custom Flange**



## FLANGE AND FLANGE COVER DIMENSIONS



Approval Drawings Required.  
Specifications subject to change without notice.



03.25